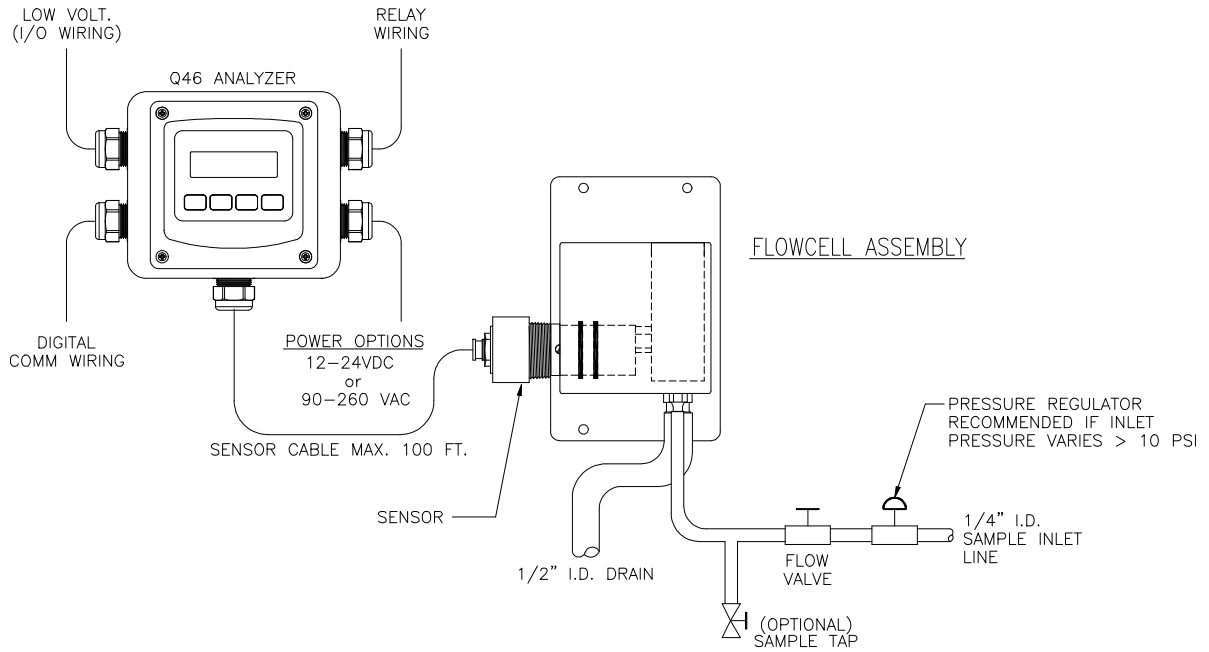
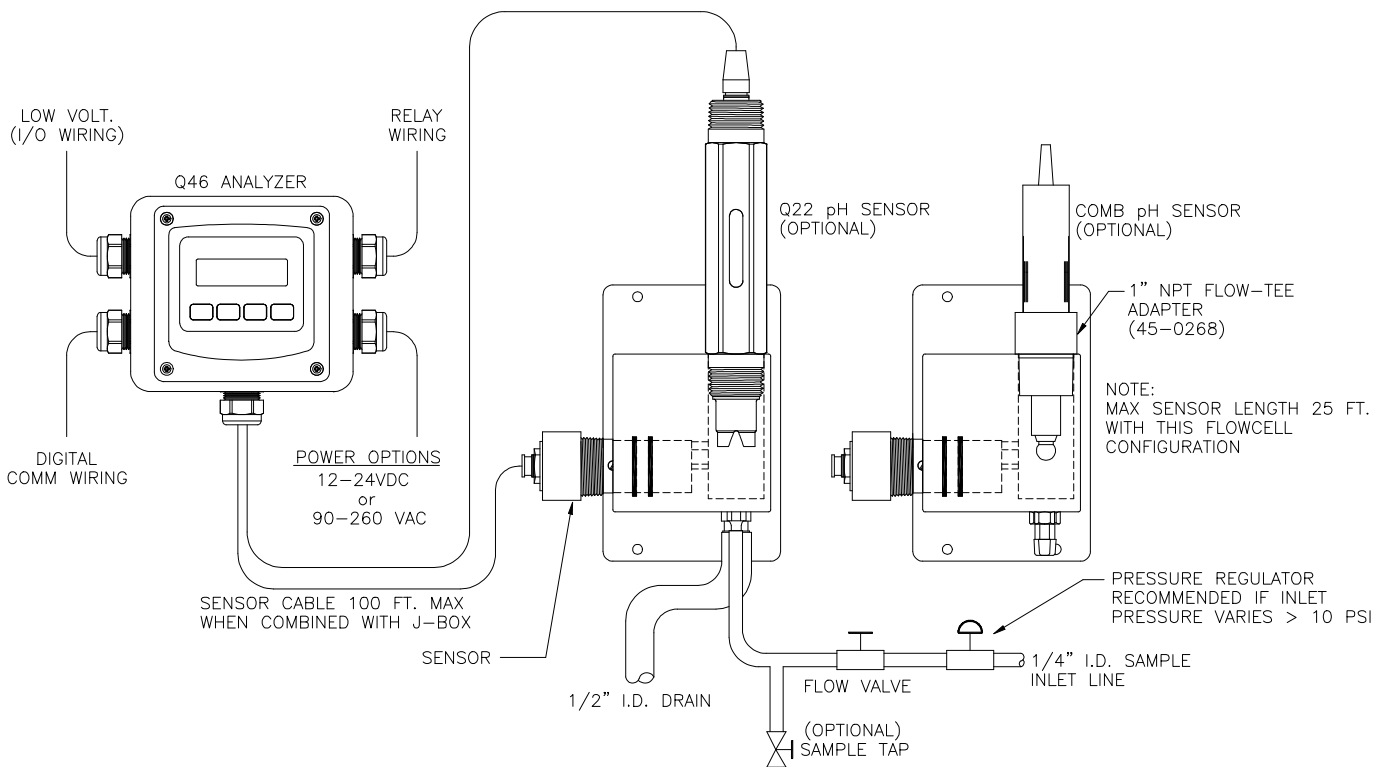


**STANDARD SYSTEM DIAGRAM**



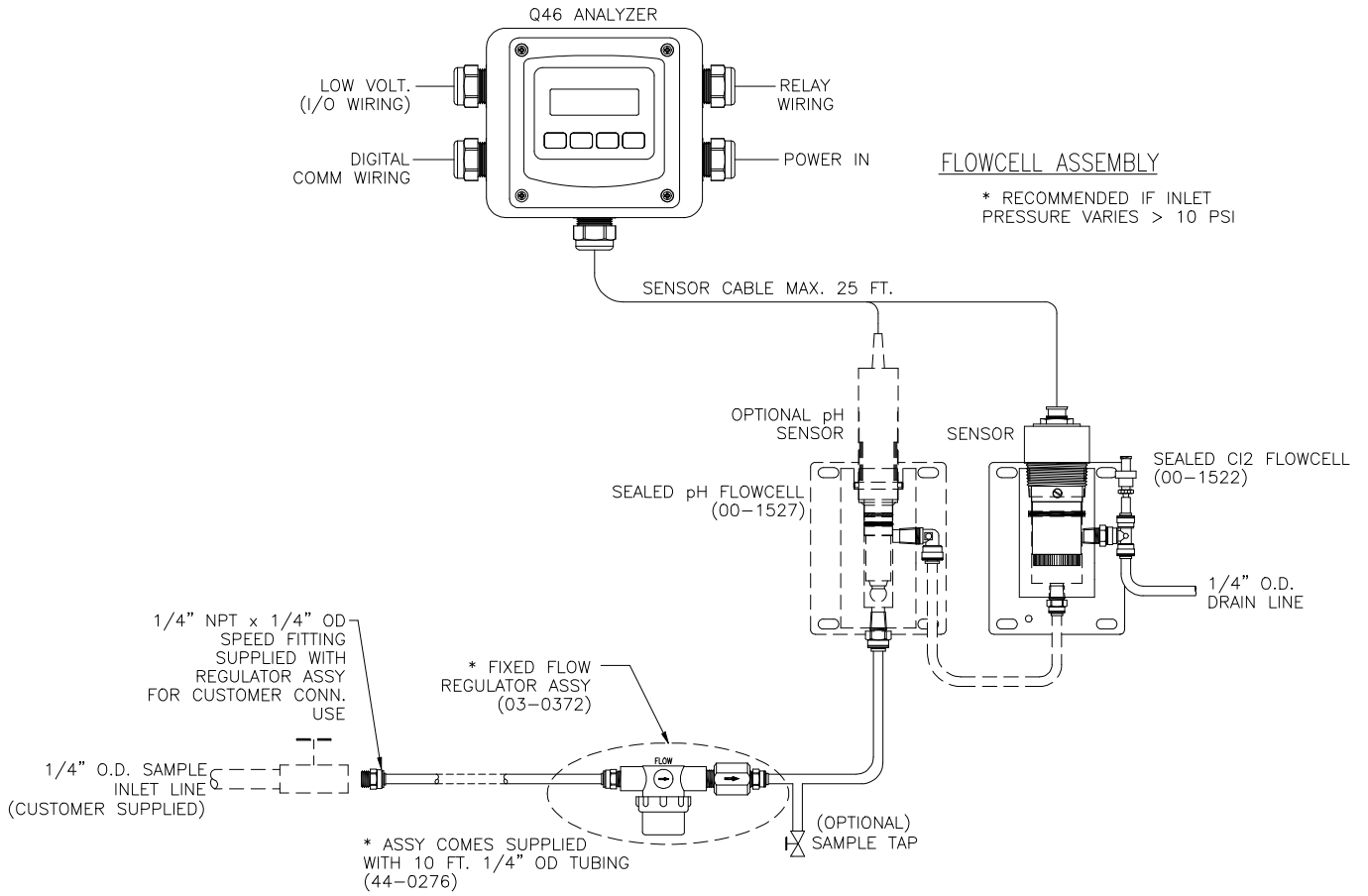
ATI-0922

**SYSTEM DIAGRAM w/OPTIONAL pH SENSOR**



ATI-0923

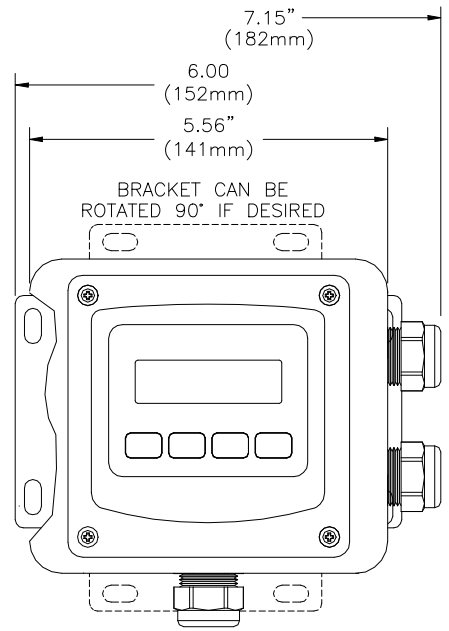
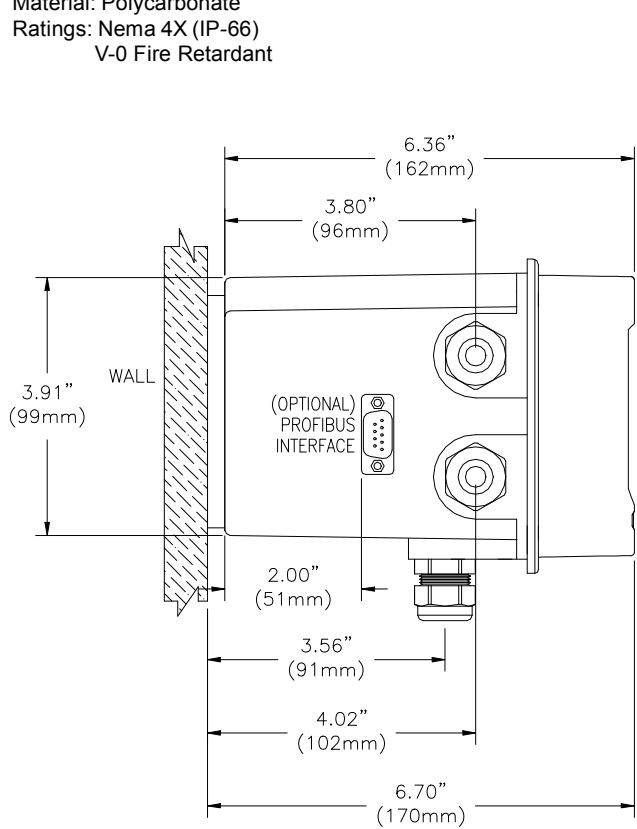
**SYSTEM DIAGRAM w/SEALED FLOWCELLS**



ATI-0924

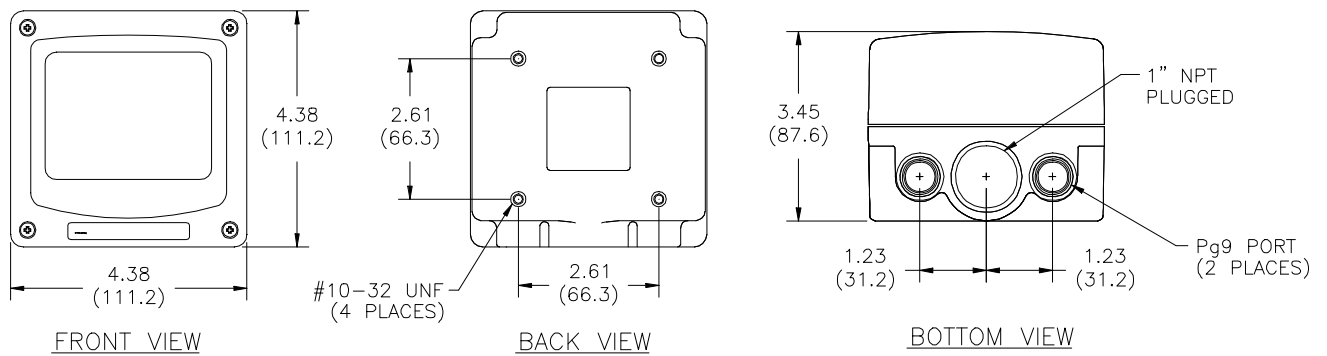
**ANALYZER DIMENSIONS (WALL MOUNT SHOWN)**

Material: Polycarbonate  
 Ratings: Nema 4X (IP-66)  
 V-0 Fire Retardant



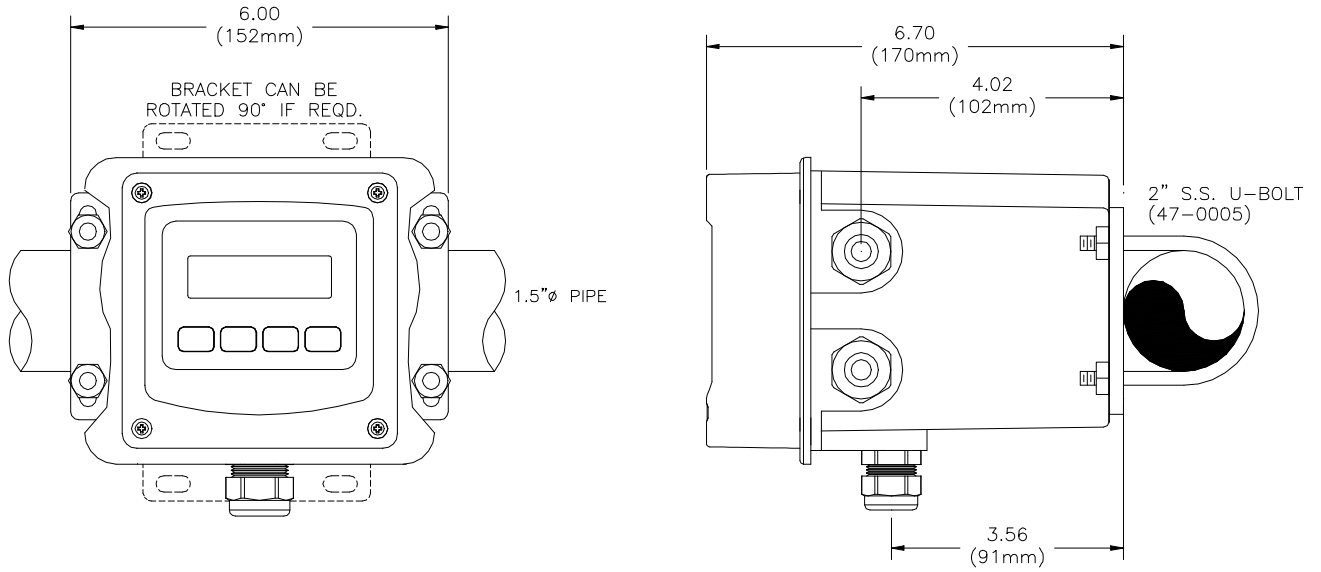
ATI-0926

**JUNCTION BOX**



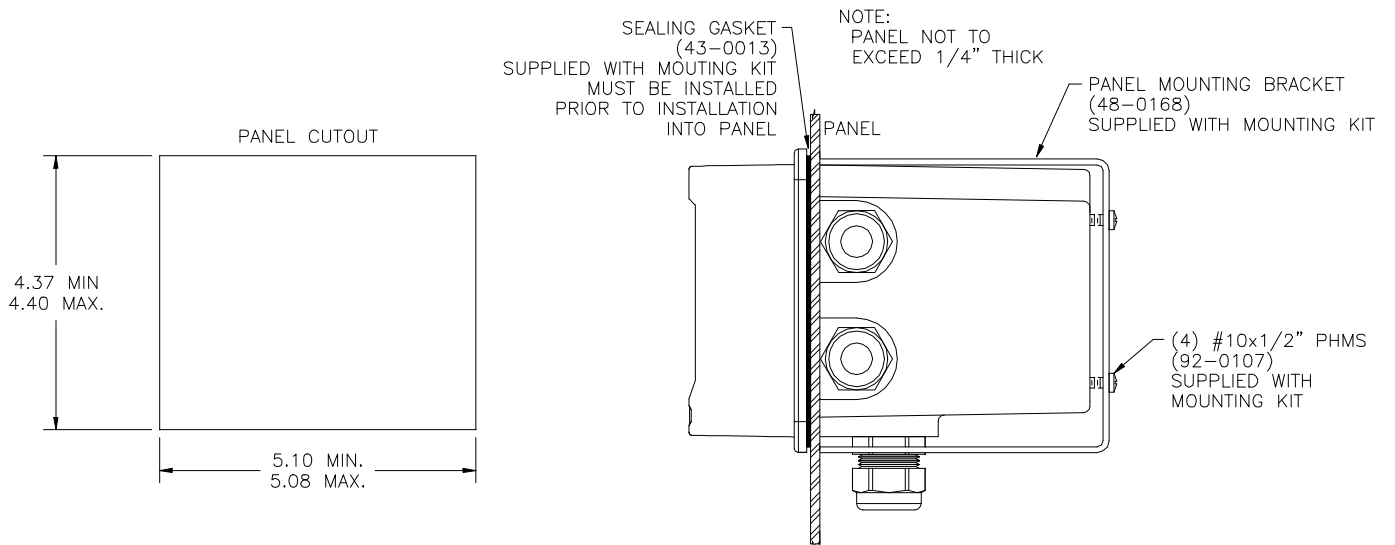
ATI-0655

**PIPE MOUNTING**



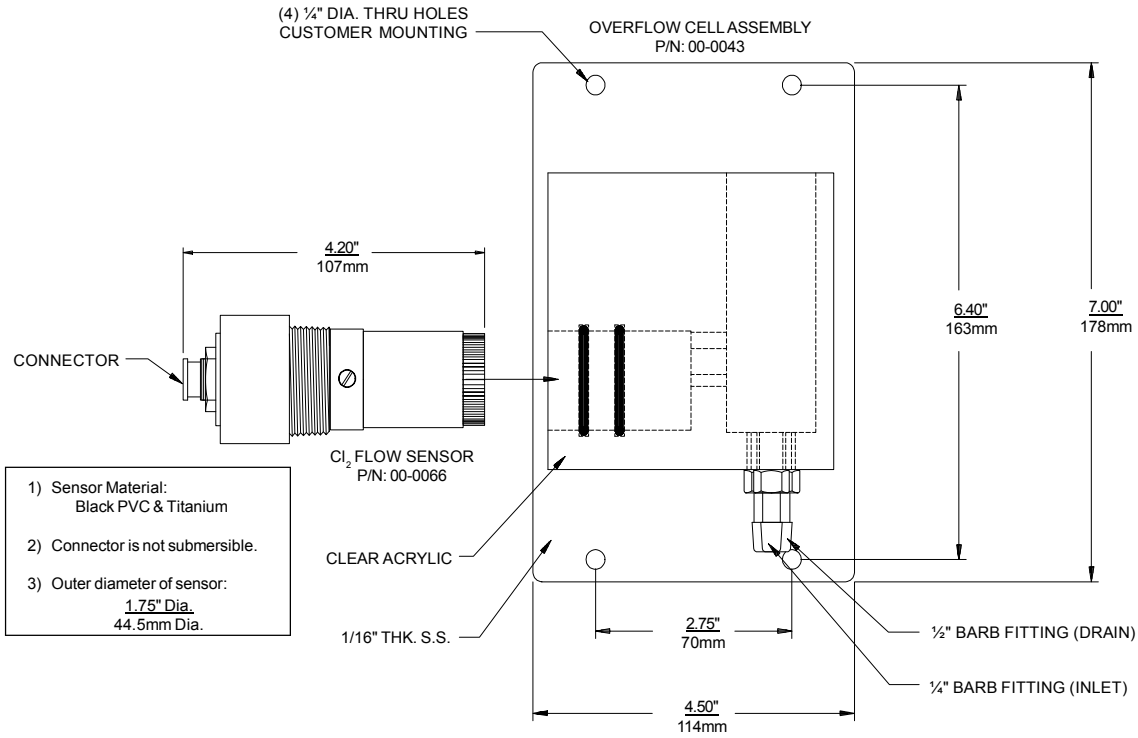
ATI-0927

**PANEL MOUNTING DIAGRAM**



ATI-0928

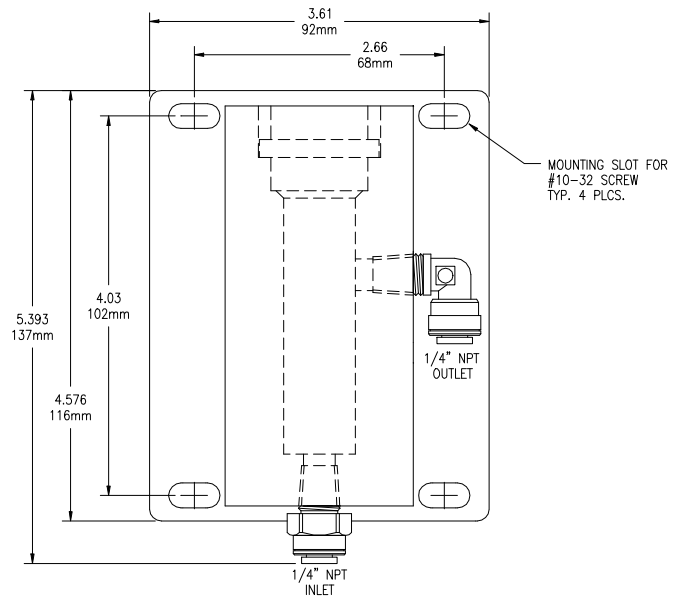
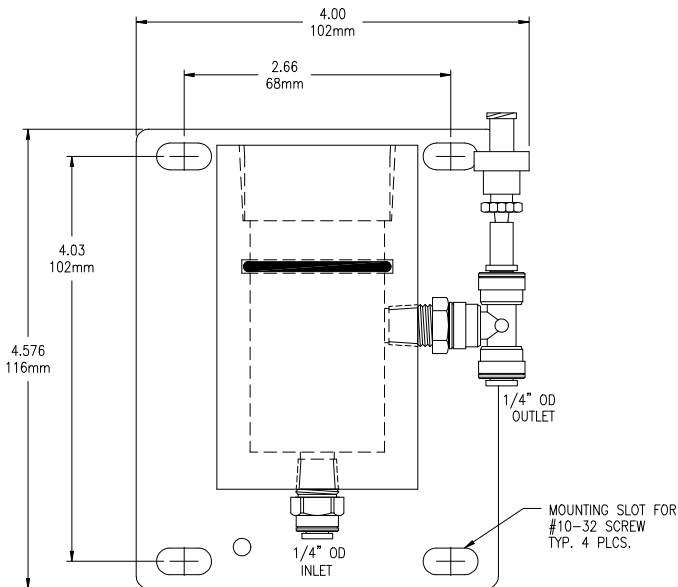
**FLOW SENSOR DIMENSIONS & OVERFLOW CELL INSTALLATION**



ATI-0196

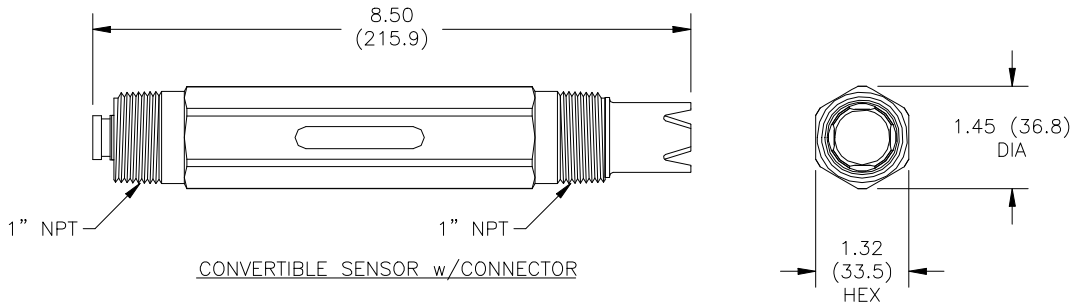
**Cl<sub>2</sub> SEALED FLOWCELL ASSEMBLY (00-1522)**

**pH SEALED FLOWCELL ASSEMBLY (00-1527)**

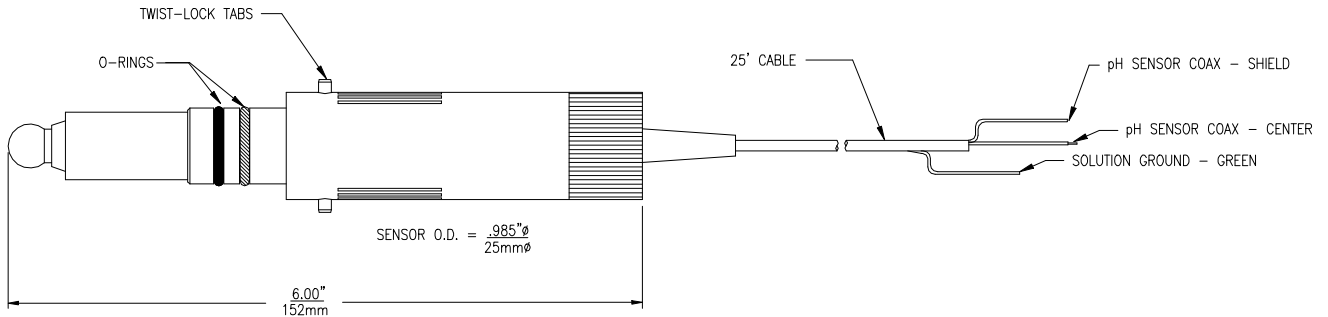


Material: Acrylic  
Mounting Plate: PVC

**(07-0096) pH SENSOR DIMENSIONS**

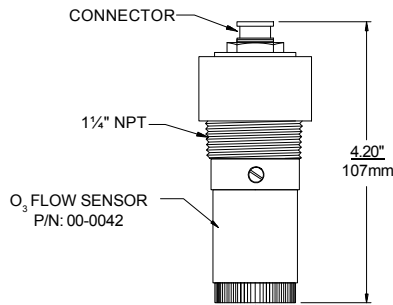


**(63-0101) pH SENSOR DIMENSIONS**

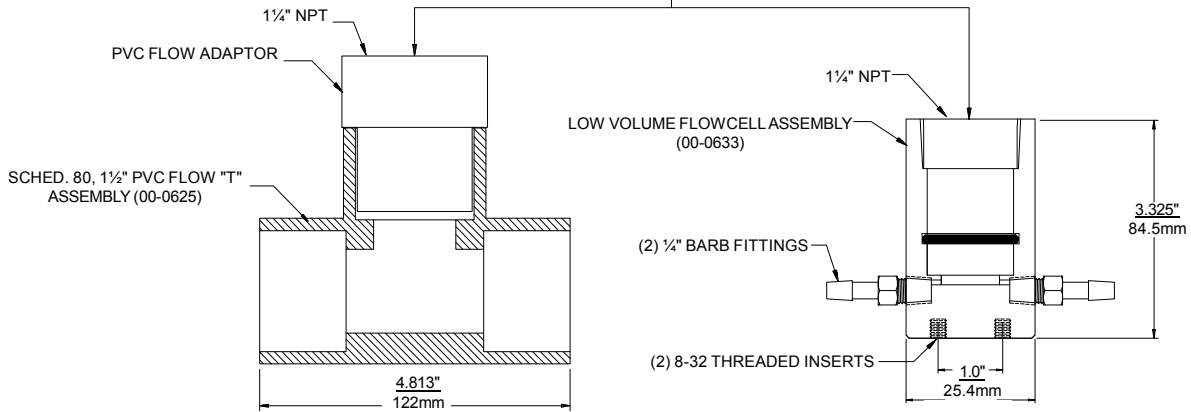


**SPECIAL APPLICATION FLOWCELLS (CONSULT FACTORY)**

- 1) Sensor Material: Black PVC & Titanium
- 2) Connector is not submersible.
- 3) Outer diameter of sensor: 1.75" Dia. 44.5mm Dia.

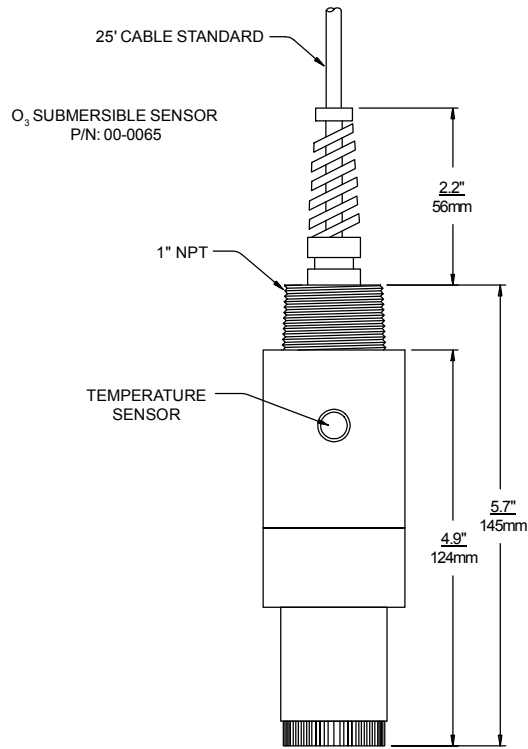


- Flow "T":
- 1) Max. 50 PSI for Flow "T" operation.
  - 2) Use Teflon tape to seal In-Line Sensor.
- Low Volume Flowcell:
- 1) Material: Clear Acrylic



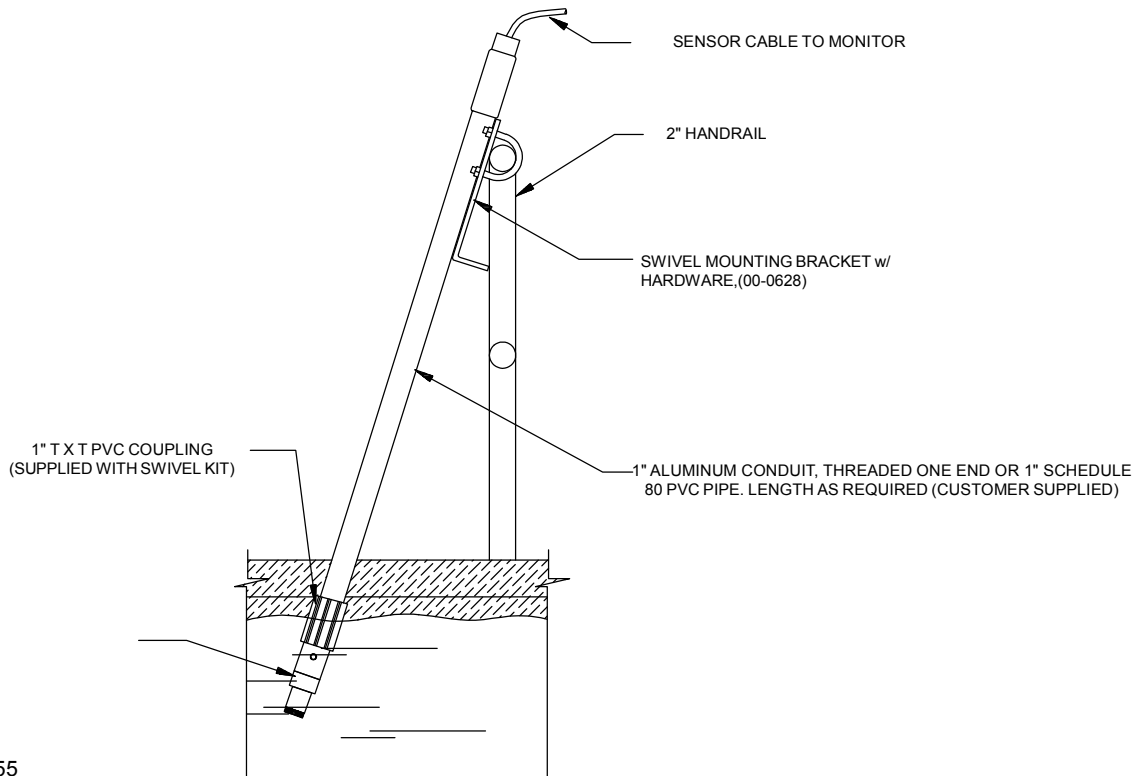
ATI-0197

**SUBMERSIBLE SENSOR DIMENSIONS**



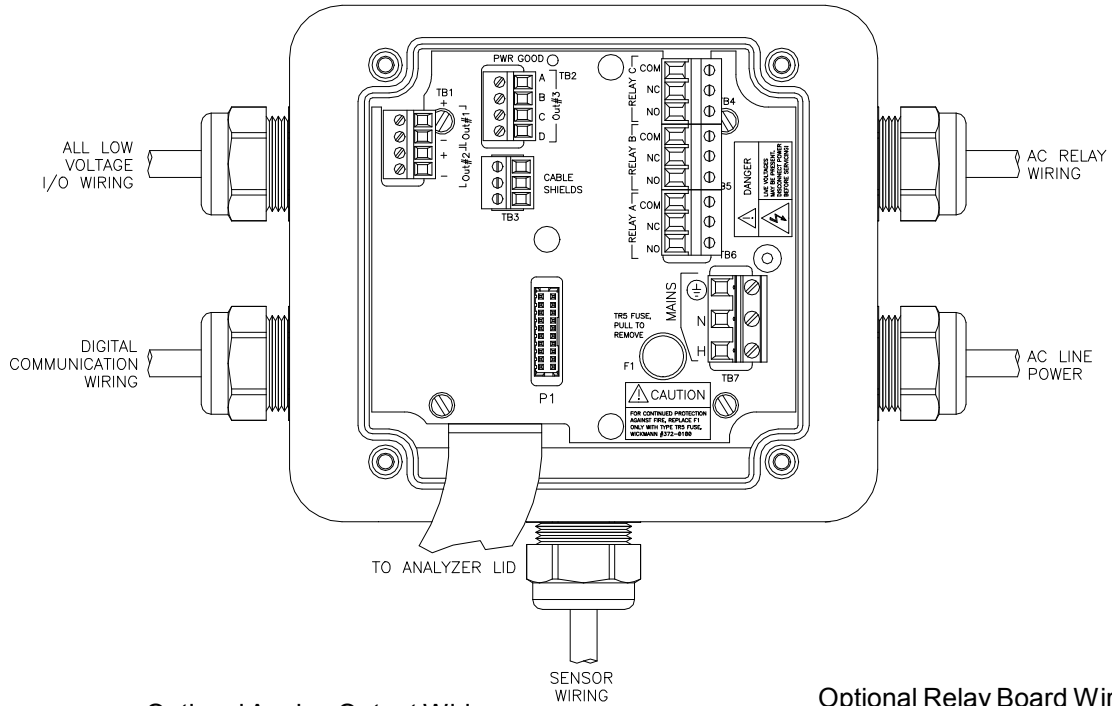
ATI-004

**SUBMERSIBLE SENSOR INSTALLATION**

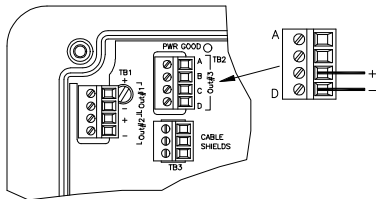


ATI-0155

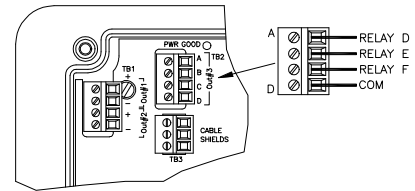
**POWER, RELAY, AND OUTPUT CONNECTIONS**



Optional Analog Output Wiring

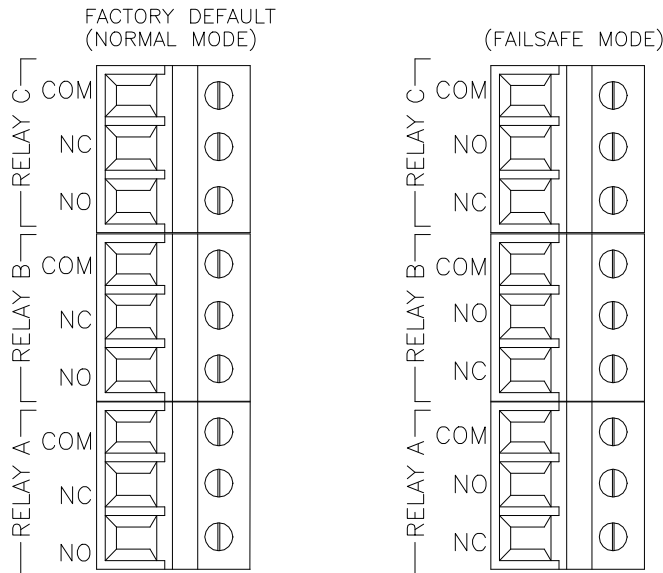


Optional Relay Board Wiring (30V Max.)



ATI-0930,  
0932, 0933

**RELAY WIRING TB4,5,6 DETAIL**

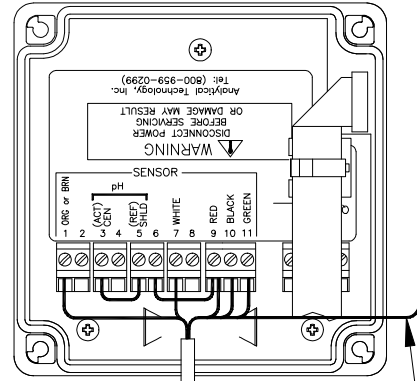


ATI-0931



**ELECTRICAL CONNECTIONS**

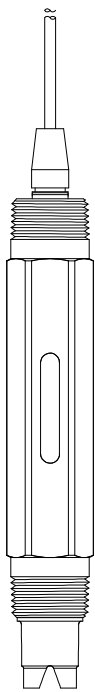
Remove Jumpers 3-5 & 6-9 if pH sensor is connected



\*CONNECT SHIELD TO T/B LABELED "CABLE SHIELDS" LOCATED ON P/S PCB INSIDE OF ENCLOSURE

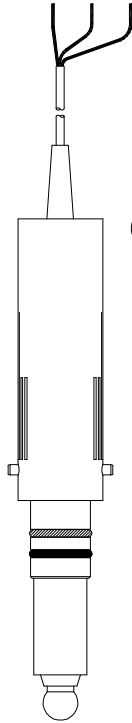
Q22P SENSOR  
(07-0096)

- RED - 3
- BLACK - 5
- SHIELD - \*

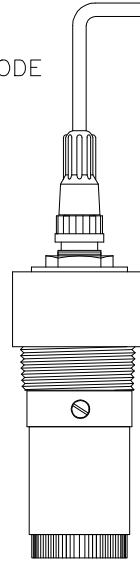


ATI COMBINATION ELECTRODE  
(63-0101)

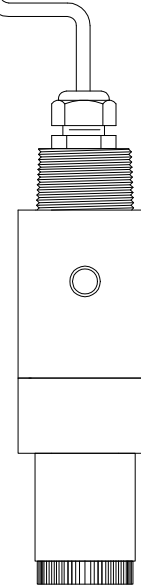
- CENTER COND. - 3
- SHIELD (BRAID) - 5
- GREEN - 7



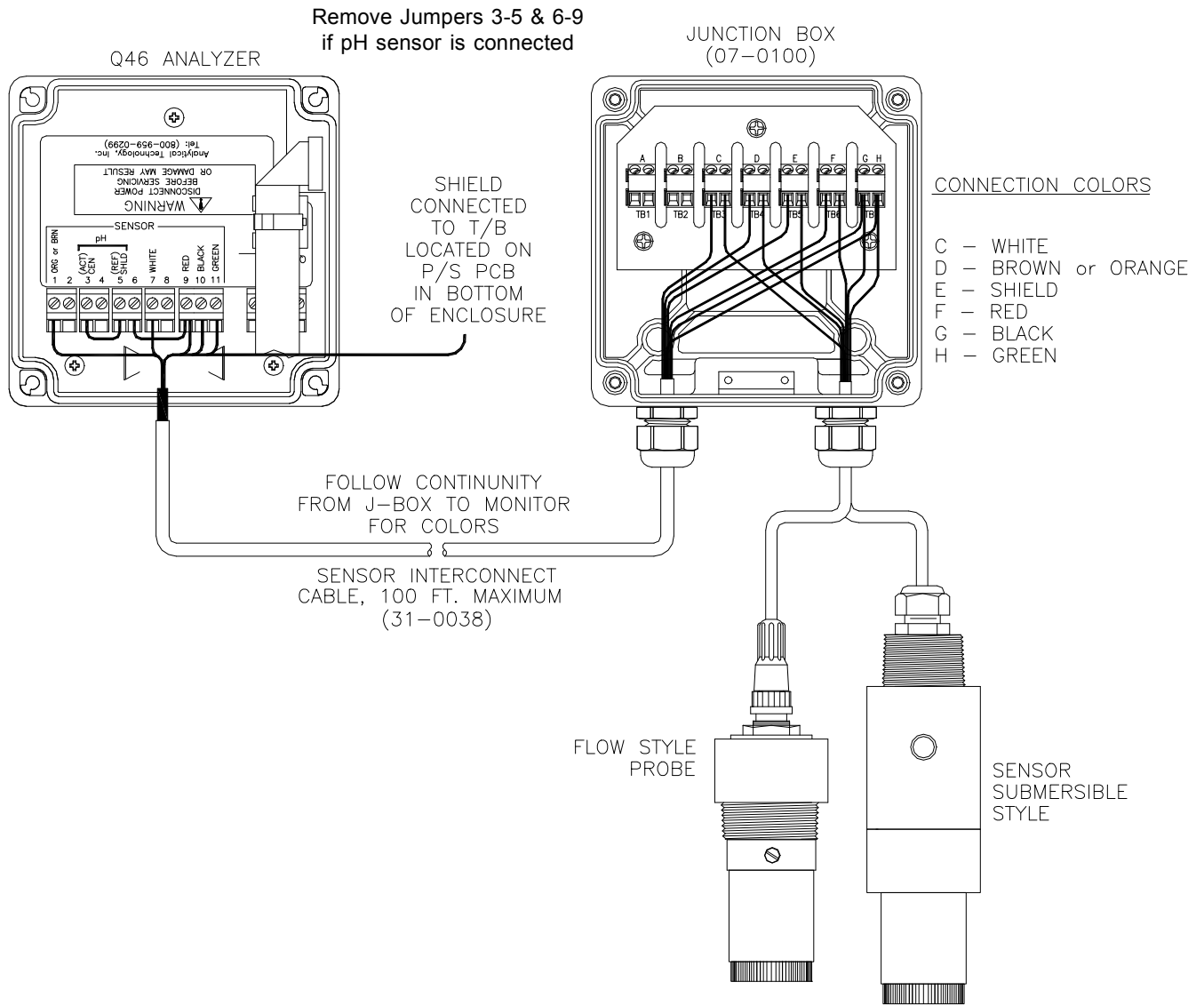
FLOW STYLE PROBE



SENSOR SUBMERSIBLE STYLE



**SENSOR CONNECTIONS - REMOTE JUNCTION BOX**



ATI-0934

**SENSOR CONNECTIONS - Cl<sub>2</sub>/pH WITH JUNCTION BOX**

**(63-0101) Bayonet Style pH Probe CANNOT be used in a remote application**

